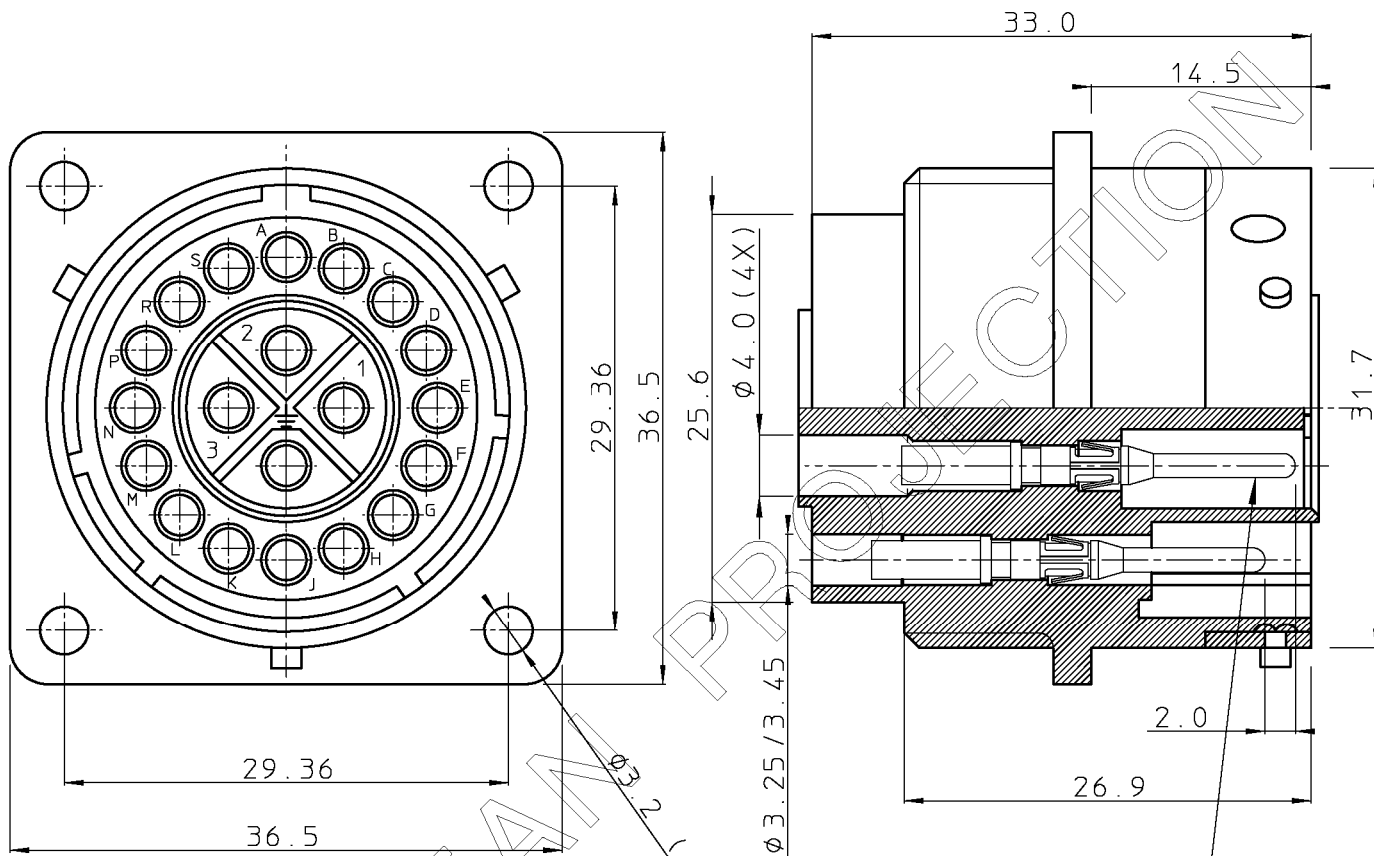


DIT IS ONZE EIGENDOM EN MAG NOCH NAGEMAAKT, HERDRUKT, OVERGEMAAKT AAN DERDEN, NOCH VOOR FABRIKATIE GEBRUIKT WORDEN, ZONDER ONZE SCHRIFTELIJKE TOELATING. BIJ NIET GEBRUIK IS DE TERUGZENDING VERPLICHT.

THIS IS OUR EXCLUSIVE PROPERTY. IT IS NOT TO BE COPIED, REPRINTED OR DISCLOSED TO A THIRD PARTY, NOR USED FOR MANUFACTURING WITHOUT OUR WRITTEN CONSENT, AND HAS TO BE RETURNED TO US IN CASE OF NO USAGE

REV.	DATE	DESCRIPTION	BY	C'K'D'
01	10-09-90	DRAWING ADJUSTED	J.V.B.	
02	02-09-92	CAVITY DIAMETER ENLARGED	Y.D.	
03	07-11-95	B.E.C. 9.3289	K.N.	
04	10-03-99	Temperature range -55C instead of -25C	K.N.	



MATERIAL

- BODY : GLASS-FILLED POLYESTER UL94-V0.
COLOUR : BLACK
- TRILOK RING : HIGH STRENGTH CuZn ALLOY, NICKEL PLATED.

PERFORMANCE CHARACTERISTICS

- OPERATING TEMPERATURE : -55 °C TO +125 °C.
- INSULATION RESISTANCE : 5000 MΩ MIN.
- TEST POTENTIAL : 2000 V EFF.
- 4 CONTACTS PER VDE 0110 CLASS 3-380V
CLASS 2-600V

NOTES

- CONNECTOR ACCEPTS # 16 STRIP FORMED, MACHINED AND SUBMINIATURE COAXIAL PIN AND SOCKET CONTACTS.
- CONTACTS TO BE ORDERED SEPARATELY : REFER TO TRIM-TRIO CATALOG.
- FOR WATERPROTECTED VERSION : ADD "H" TO THE CATALOG NO. E.G. CAT.NO. : UTG0202PH

04

BS, A , 201052, 001

GEN. ST.	01	02	03	04	05	06	07	08	0D	50	60	70	80	90																	
INT. ST.	10	11	12	13	14	18	20	31	32	33	34	38	39	40	42	43	44	45	46	48	56	70	72	73	75	76	81	82	83	84	88

1DEC ±0,2 2DEC ±0,1 ANGLES ±1° HOEKEN	APPR.	DATE	SIGN.	MALE RECEPTACLE METALOK BANTAM 20 POS.
	DRAFT	06-04-89	E. CREELLE	CAT. No. UTG0202P
WE RESERVE THE RIGHT TO CHANGE DIMENSIONS OR REQUIREMENTS WITHOUT PRIOR NOTICE.	PROD. MGR.			 SOURIAU Route Nationale 23 72470 CHAMPAGNE
ALL DIMENSIONS IN MM	PR. ENG. MGR.			
ALLE AFMETINGEN IN MM	PR. MGT. MGR.			BS, A , 201052, 001
	REFERENCES / REFERENTIES			NOT EXPORT CONTROLLED DRAWING NR. CUSTOMER DRAWING REVISTON